

SATCOM COMPONENT

Multi-band LNB Controller CTRM06 with 10MHz Ref.

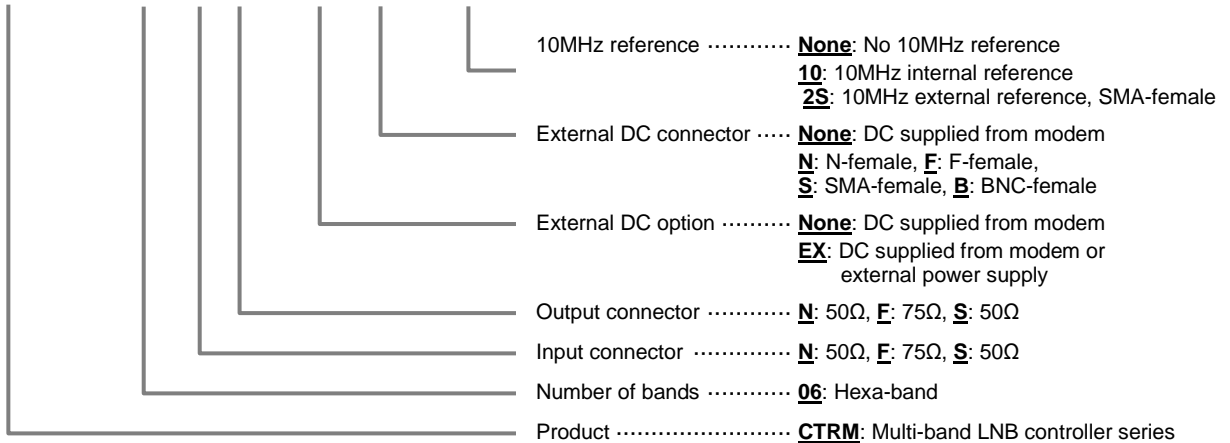


TYPICAL SPECIFICATIONS

Input voltage	+23 to +25 V from modem or external DC supply(option)	External DC interface (option)	N-female, F-female, SMA-female, BNC-female
Switching voltage	Band-1: +13V Band-2: +13V / 22KHz Tone Band-3: +18V Band-4: +18V / 22KHz Tone Band-5: +22V Band-6: +22V / 22KHz Tone	Internal Reference (option) Frequency Output power Stability	10MHz +3dBm typ ±50ppb
Tone condition	Frequency: 22KHz ±4KHz Amp: 0.6±0.2 V Duty Cycle: 50%±10%	External Reference (option)	via SMA-female connector
Output current	650mA max	<ul style="list-style-type: none"> ■ Interface for up to Hexa-band LNBS remote supply and control ■ External DC supply is available ■ Both 75 and 50 ohms connector are available ■ Cable length compensation 	
Input interface (from Modem)	N-female, F-female, SMA-female	<p>* For external DC option product, do not supply DC to the MODEM port and EXTERNAL DC IN port simultaneously.</p>	
Output interface (to LNB)	N-female, F-female, SMA-female		
Operating Temperature	-40 to +60°C		
Dimension	115.0(L) x 90.0(W) x 34.4(H) mm		
Weight	700g		

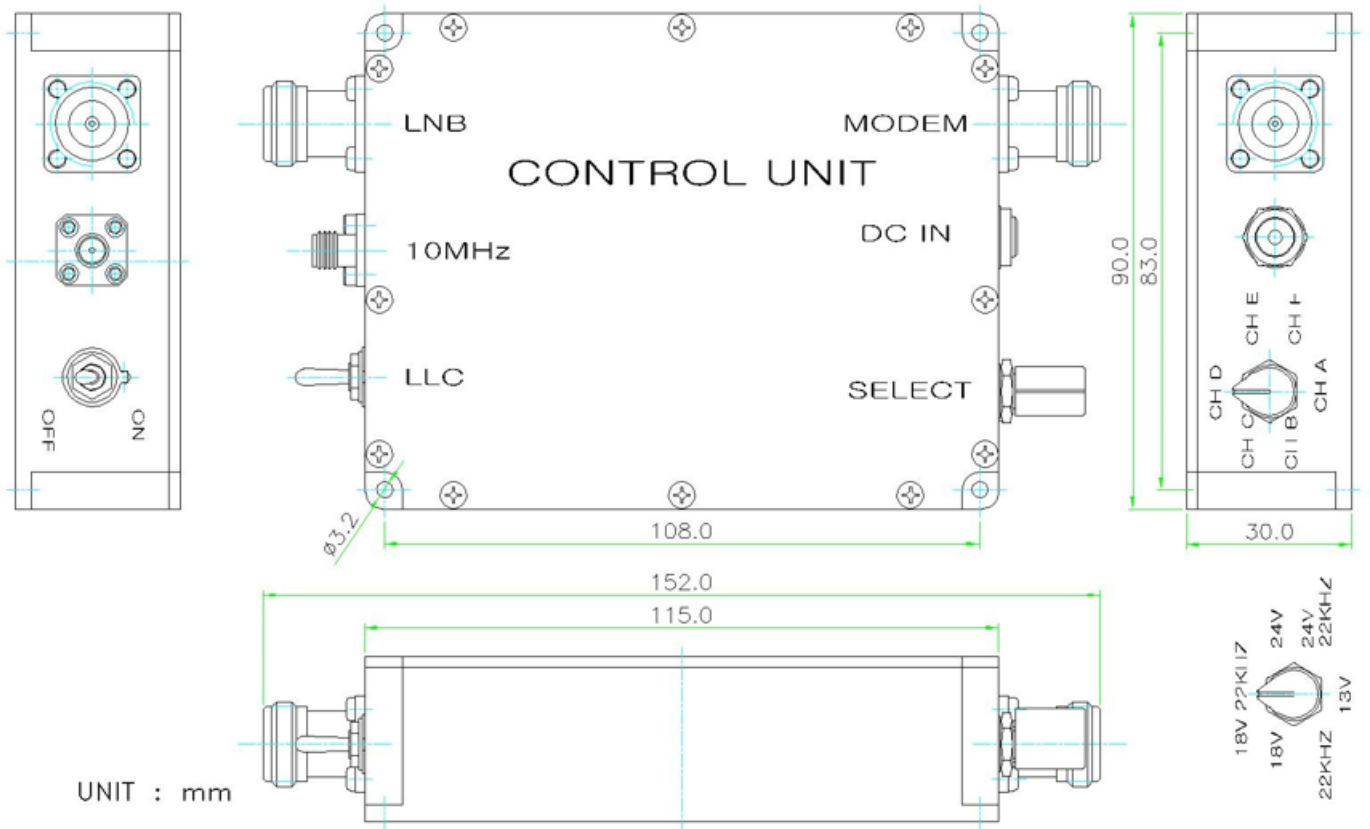
HOW TO ORDER MULTI-BAND LNB CONTROLLER

CTRM06NN-EXN-10



SATCOM COMPONENT

OUTLINE DRAWING



UNIT : mm