

**SATCOM COMPONENT**

# L-band Bias-T BT1000



## TYPICAL SPECIFICATIONS

### IF SIGNAL

<b>Frequency range</b>	950 - 2150 MHz 950 - 1450 MHz
<b>Insertion loss in band</b>	2.0dB max
<b>Input VSWR</b>	2.0 : 1
<b>Output VSWR</b>	2.0 : 1
<b>Connector</b>	SMA-female, N-female F-female
<b>Dimensions</b>	66(L) x 37.2(W) x 23(H) mm
<b>Weight</b>	150g
<b>Operating Temperature</b>	-30 to 55°C

### DC INPUT

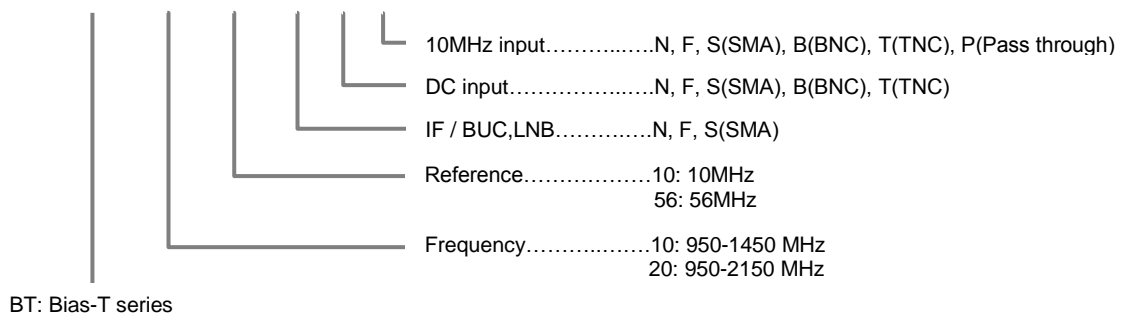
<b>DC power</b>	+15 to +24 V
<b>DC current</b>	3.0A max
<b>Connector</b>	.N, F, SMA, BNC, TNC

### REFERENCE INPUT

<b>Insertion loss</b>	1.5dB max
<b>VSWR</b>	2.0 : 1
<b>Connector</b>	N, F, SMA, BNC, TNC, Pass through

## HOW TO ORDER L-band BIAS-T

### BT1010NBP



**SATCOM COMPONENT**

**OUTLINE DRAWING**

